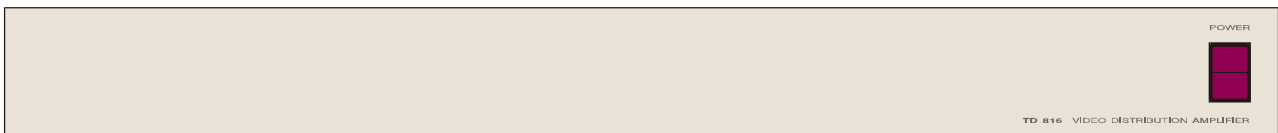

TD 816

VIDEO DISTRIBUTION AMPLIFIER

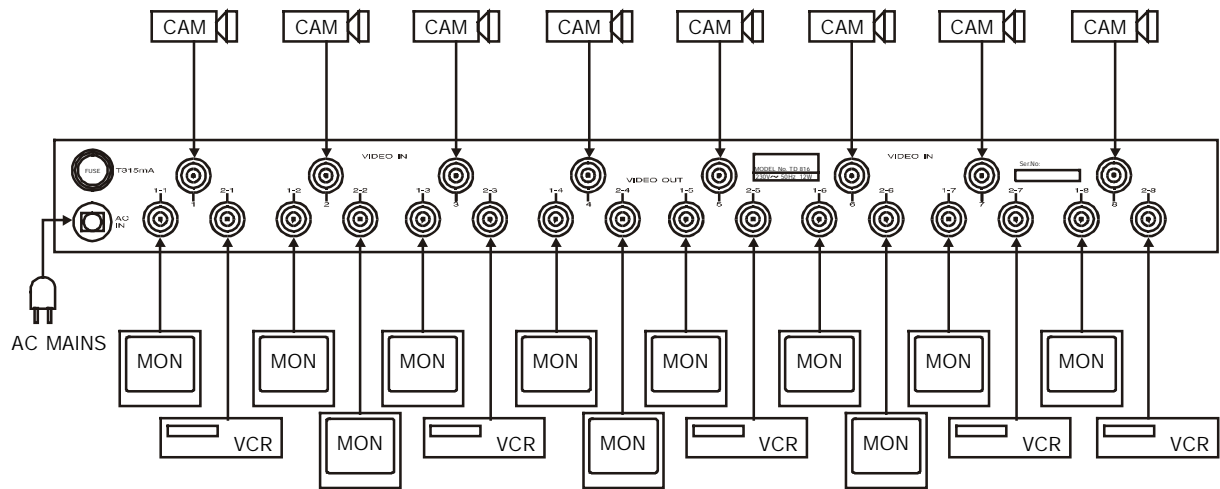


FEATURES

- 2 (4, 8) video inputs
- 2 x 8 (4 x 4, 8 x 2) video outputs
- rack mountable using optional rack mount kit

The TD 816 is a high quality video distribution amplifier with sixteen video outputs. Internal jumpers allows the distribution of two video input to eight video outputs, four video inputs to four video outputs or eight video inputs to two video outputs.

Standard BNC type input and output connectors enables the TD 816 to be used with other CCTV amplifiers, switchers, cameras, monitors and video tape recorders.



SPECIFICATIONS

Video input	1-2Vpp/75Ω, BNC
Video output	1-2Vpp/75Ω, BNC
Video bandwidth	10MHz±3dB
Signal/noise ratio	>55dB
Power requirement	230V, 50Hz
Power consumption	12W max.
Dimensions	432x44x240mm
Weight	4.7 kg