
TMC 03

TRIPLE
CHARACTER
GENERATOR

Operating Instructions

PREFACE

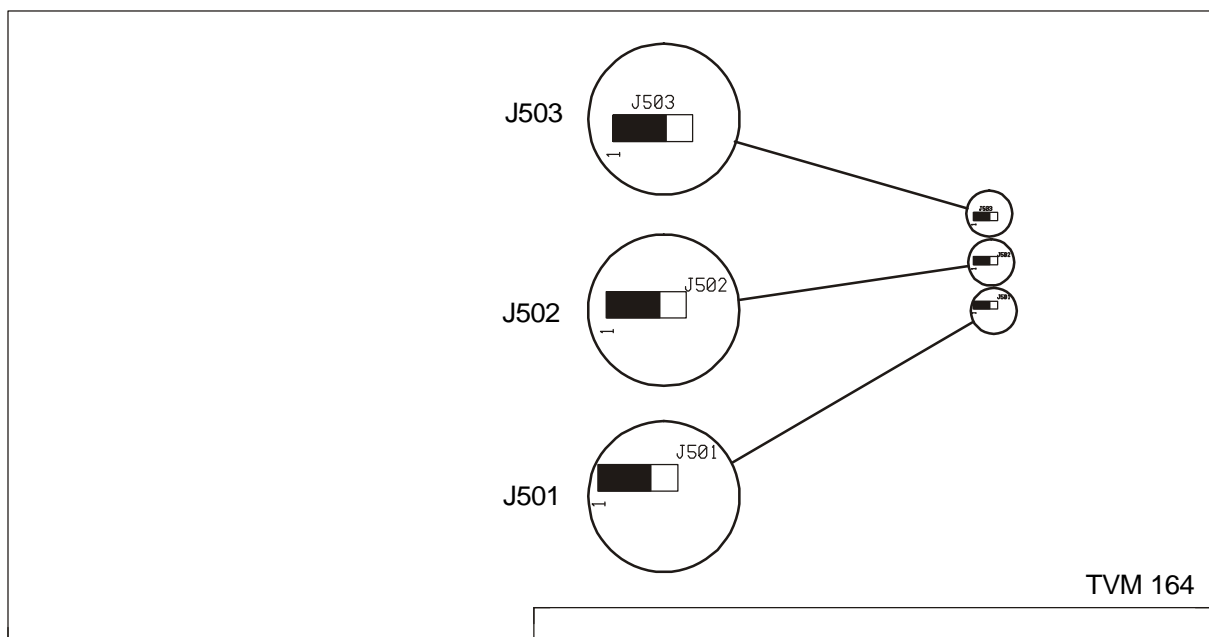
The three-channel character generator TMC 03 is a card designed for use in the TVM 164 video matrix. The characters are displayed as white characters with black edging thus allowing easy reading against any contrast background.

FEATURES

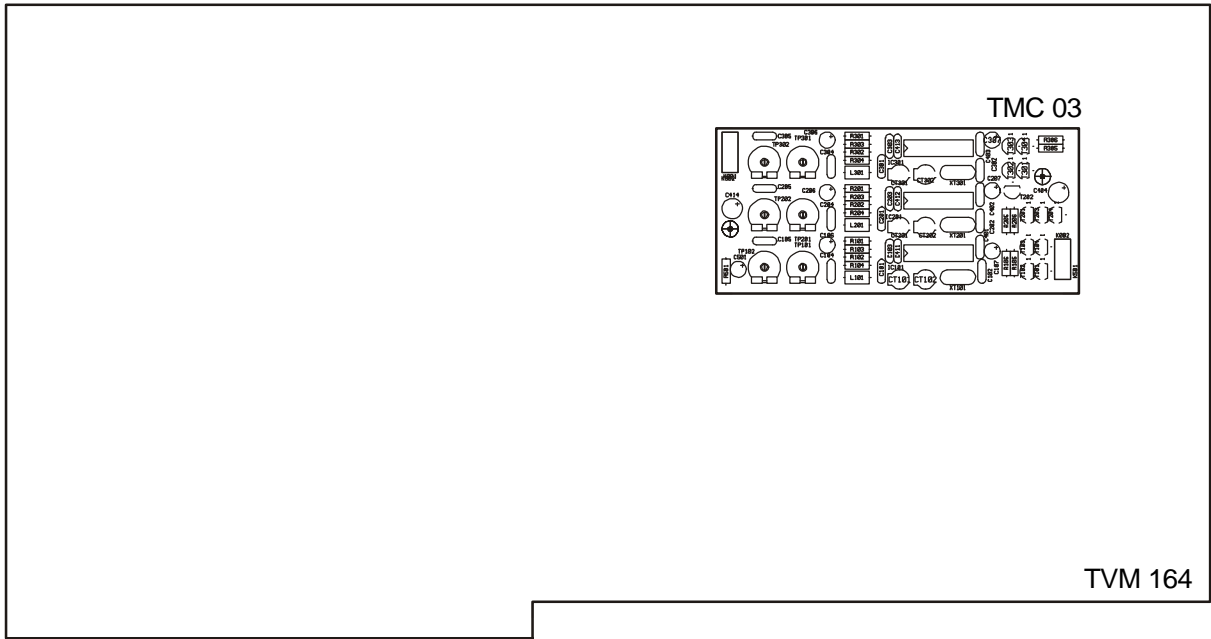
- 3 channels
- 24 x 12 characters
- small dimensions
- simple installation

INSTALLATION

- (1) Turn off the TVM 164 unit.
- (2) Remove the eight screws on the cover's upper panel and open the upper lid.
- (3) Set the jumpers J501, J502, J503 to the left position.



- (4) Insert the TMC 03 triple character generator. Push the two fasteners into the holes and the two double-row female headers into the double-row pin headers in the TVM 164 board.



(5) Close the TVM 164 casing.

Note:

- Do not adjust the trimmer potentiometers and trimmer capacitors on the TMC 03 triple character generator board.
- Check the software version of the TVM 164. The TMC 03 is designed to use with the software version 3.1m or higher.



This unit is produced to comply with Directive 89/336/EEC.